



# Smart Louvered Roof

[www.nirmalautomation.com](http://www.nirmalautomation.com)



# Application Scenarios



Private residence



B&B



Swimming pool



Balcony and terrace



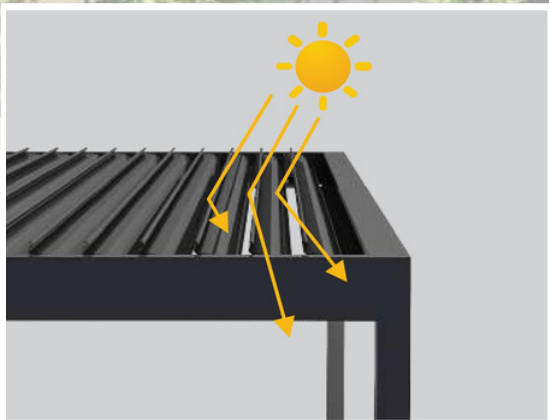
Hotel



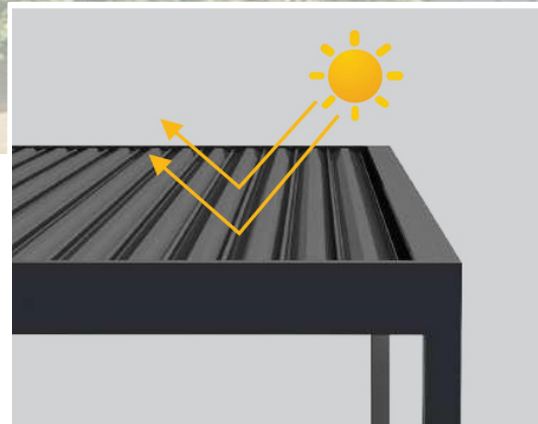
Pavilion



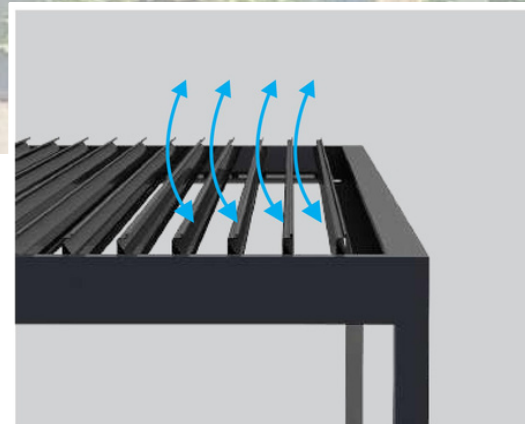
# Functions



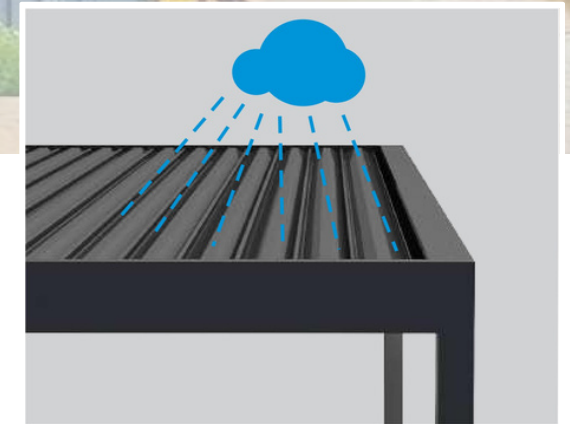
Blade opening and closing Angle from 0-120 Dimming is achieved by refraction



Blade opening and closing Angle from 0-120 shading and heat insulation effects are achieved



A comfortable ventilation environment is achieved by 80% ventilation rate



100% waterproof effect is achieved by the blade.



# Smart Louvered Roof



## Designs:

- 1.model: D17
- 2.model: D23

## Matreial:

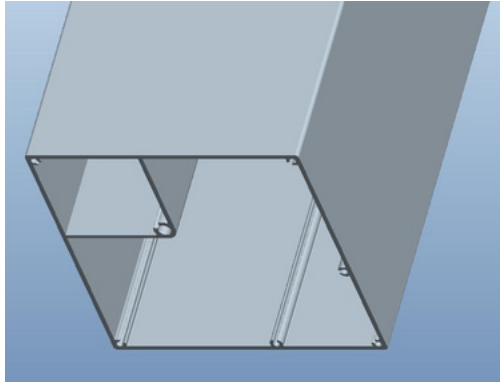
Aluminum alloy 6063-T5

## Color:

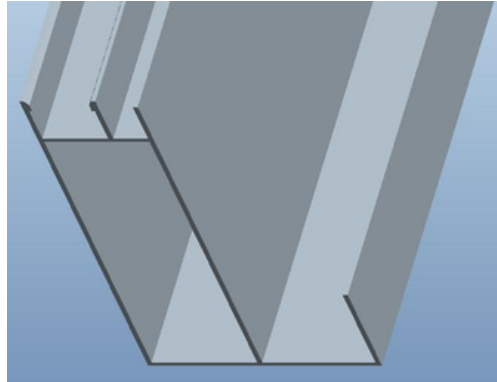
Standard: dark grey  
Customize is acceptable



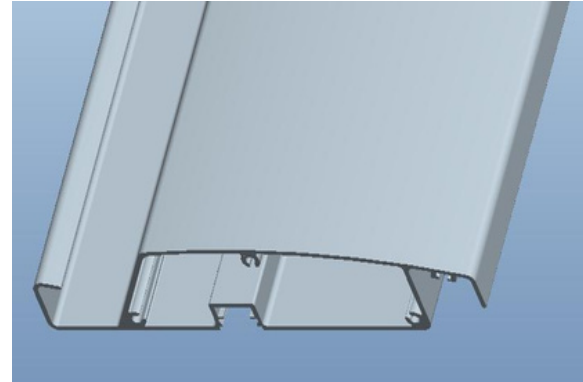
# Louver D17 profiles



column  
Aluminum alloy 6063-T5  
**150\*150\*2.5mm**



beam  
Aluminum alloy 6063-T5  
**101\*168\*2.2mm**



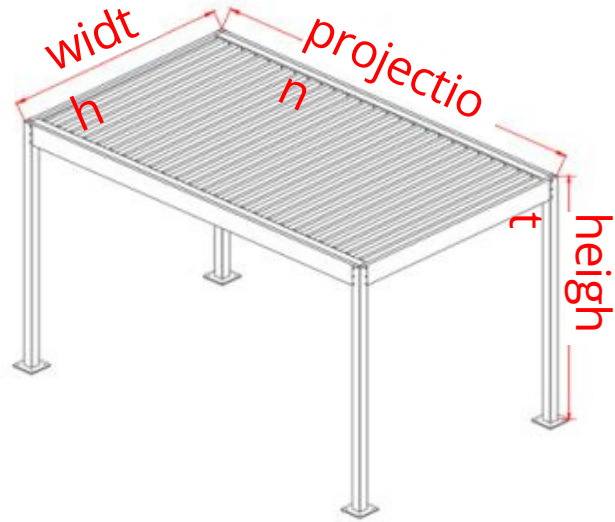
louver with LED  
Aluminum alloy 6063-T5  
**170\*40\*1.8mm**



louver without LED  
Aluminum alloy 6063-T5  
**170\*40\*1.8mm**



# D17 common sizes:



## Regular sizes:

Width(MM)	Projection(MM)	Height(MM)
3000	3000	2700
	4000	2700
	6000	2700
4000	3000	2700
	4000	2700
	6000	2700



**Dark grey**  
(Common Color)

**Standard with electric control (manual can be customized)  
Louver with light**



# Louver D23 profiles



column

Aluminum alloy 6063-T5

150\*150\*2.5



beam

Aluminum alloy 6063-T5

248.2\*50\*2.2



gutter

Aluminum alloy 6063-T5

85\*85\*1.8

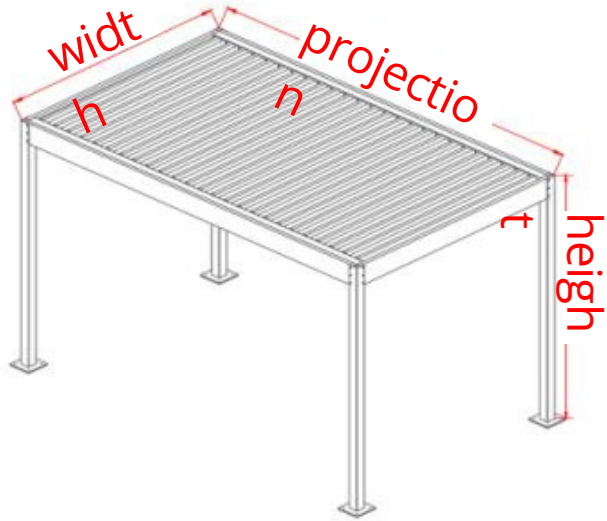


louver

Aluminum alloy 6063-T5

230\*55\*2.0

## D23 common sizes:



### Custom size

Width(MM)	Projection(MM)	Height(MM)
<6000	<6000	<3000



**Dark grey**  
(Common Color)



# Product Superiority

## Aluminum alloy 6063-T5

advantages: wind & corrosion resistance  
excellent performance & beautiful look

## Water proof 100%

Can be used in any weather condition

## Power spray in famous brand

No rust from steel Safe & environmentally friendly



Install conveniently  
can be set up quickly

Water drain quickly  
drainage rate: 0.07-0.08 l/s/m<sup>2</sup>

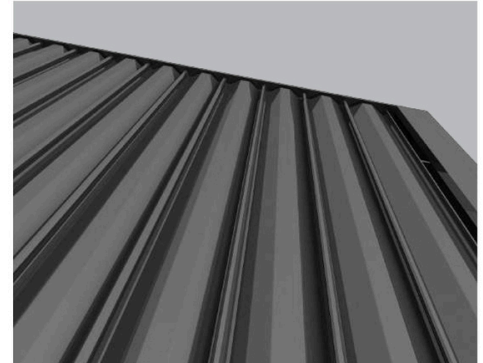
With LED light  
High brightness Low energy consumption  
Good safety performance

# Product Superiority

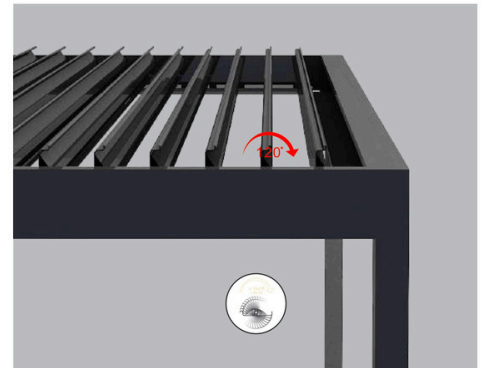


The overall structure is 6063-T5 aluminum alloy material, the surface selection of brand powder spray, the selection of 304 stainless steel screws, corrosion resistance, oxidation resistance, can be used all weather.

The whole product adopts electric control, select special silent waterproof motor, hidden design, one-button control, free opening and closing, peace of mind, labor saving, safety and stability.



Full closure effect of blade

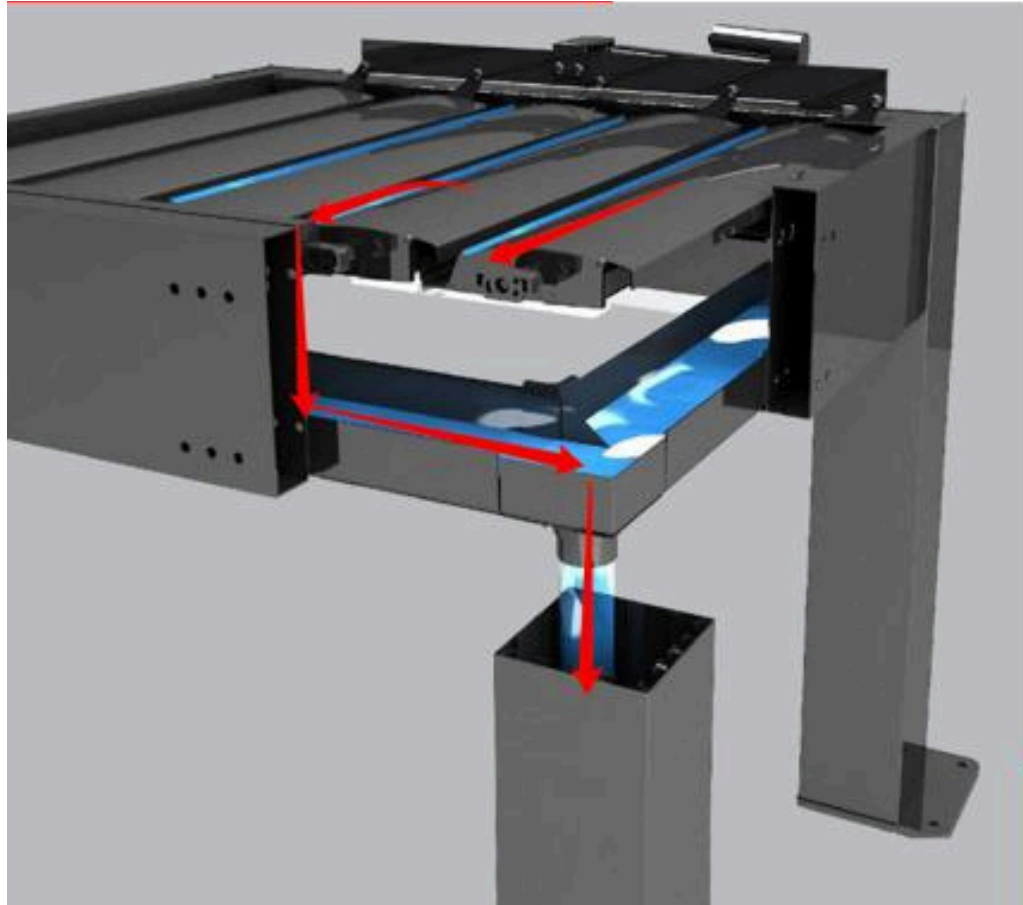


Blade opening and closing Angle from 0-120



Motor parameters

Product model	Pull	Max working current	Travel distance	Pulling speed	Working voltage	Impeded current	Product size	Class of protection
AM36-D800N	800N	1.2A	0-1000mm	8mm/s	DC24V	1.5A	φ36*276 + distance	IP67



100% Water Proof

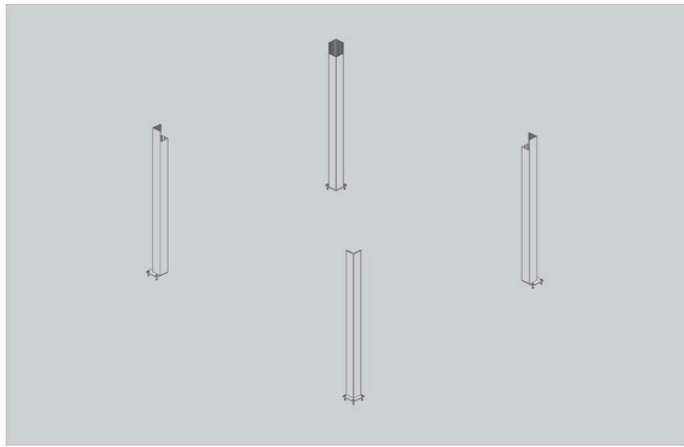


Water Drain Quickly

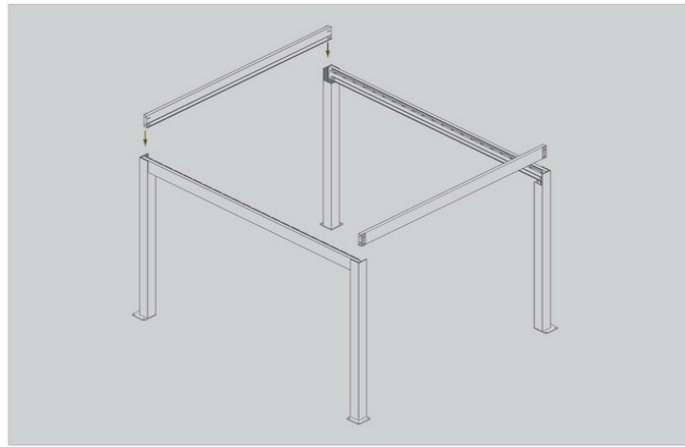




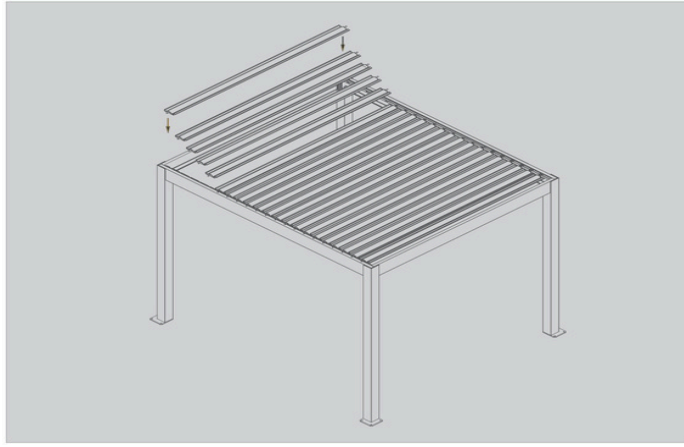
# Install conveniently



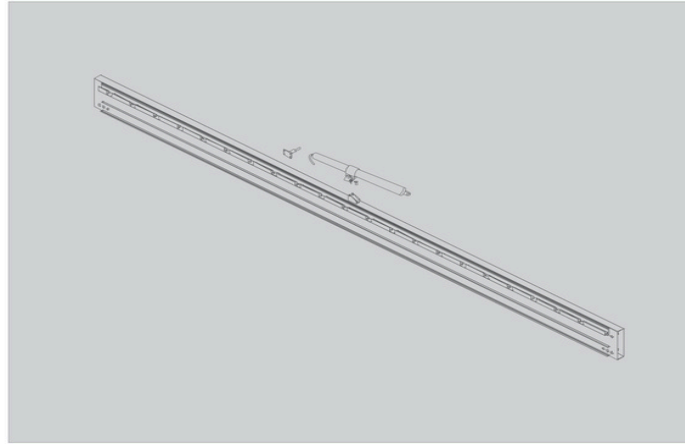
column installing



frame matching



blade installing



motor installing

## Flexible installation methods



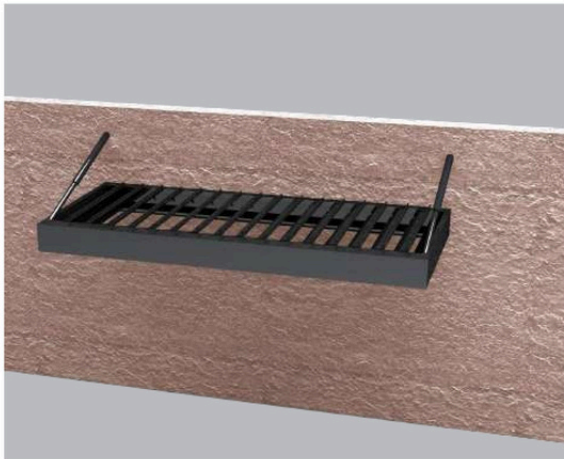
Free standing



Against wall with 2 columns



Against wall with one column



Suspended



Parallel to wall



A four walls



## **Nirmal Automation Pvt. Ltd.**

### **Corporate Office:**

7, Vrindavan Garden Society, Opp Jit Ground,  
Lokmanya Colony, off Paud Road, Kothrud.  
Pune-411038, Maharashtra, India.



### **For Enquiries**

Sales: (+91) 77740 83386

Mail: [sales@nirmalautomation.com](mailto:sales@nirmalautomation.com)

### **For more details**

visit: [www.nirmalautomation.com](http://www.nirmalautomation.com)