



Skyline Smart Zip Screen

"Experience the ultimate in outdoor living with our skyline smart Zip Screen."

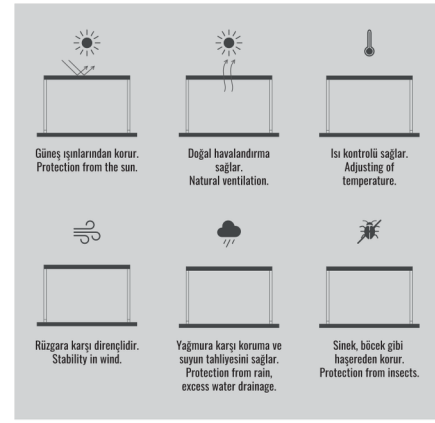
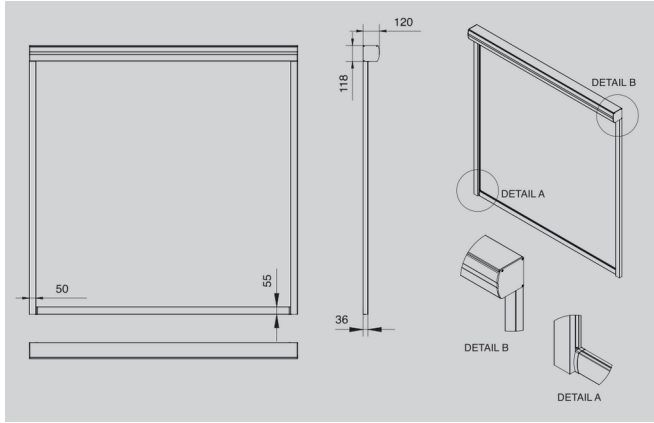
www.nirmalautomation.com



Skyline Smart Zip Screen

Zipscreen systems are motorized outdoor blinds designed to provide you with comfortable outdoor spaces you can enjoy throughout all seasons. The defining feature of the system is i-zipscreen's specifically designed zip which is welded to the edges of the blind material. This feature secures user privacy and also offers year-round protection from the sun, wind, rain and insects. i-zipscreen's lock technology with its base closer band provides perfect protection from sunlight/UV rays. Its minimalist design is modern and stylish. i-zipscreen is an innovative product combining the most advanced motor, high-tech fabrics and aesthetic design features. The specifically designed fully-enclosed motorbox and the fabric color options we offer will match the decor of your outdoor space perfectly. i-zipscreen is easy to use and practical with its remote control operated motorized pergola system. According to wind load testing run by FTI, Façade Testing Institute, i-zipscreen can resist winds up to 130km/h, making it the leading system in its sector. Designed for residential and commercial applications, i-zipscreen is fully customizable, allowing you to make the most of your open air entertaining spaces. It has a wide range of application areas; as outdoor patio blinds, windows, pergola blinds, balcony shade cloth blinds and more.

Diagram



Features/Benefits

- **Durable:** Standard EN 1932 Beaufort Scale 12 (aprox. 130km/h). No breakage was detected.
- **Aesthetic:** Whole system is designed for the perfect fit. As an innovative development upon traditional awnings and outdoor roller shutters, provides functional use. Its minimalist profile is modern and stylish. Block the Heat, Not the view.
- **Functional:** Specially, ensures great privacy and year-round protection from sun, wind, rain and insects. i-zipscreen's lock technology with its base closure band obtains perfectly protection from sunlight/UV rays insects, wind, light rain.
- **System:** Side channels have self-aligning secure guided movement and all part of the system is made of 100% stainless steel. All constituents of the system are the world's best quality. The system can be produced in widths up to 6 metres and drops up to 4 metres, which fits almost any area you may build-in.
- **Architecture:** i-zipscreen® brings new and seasonal values with its impressive functional and aesthetic features for your architectural solutions. Enjoy your view in any season with its different tissue styles and colors.



Nirmal Automation Pvt Ltd

Corporate Office: Shop No.7, Vrindavan Garden Society, Opp Jit Ground, Lokmanya Colony, off Paud Road, Kothrud. Pune - 411038, Maharashtra, India.

Contact No: +91 9823149691 / +91 9225435222

Email: sales@nirmalautomation.com **Website:** www.nirmalautomation.com

